



KES900Z

Preload electric strike – monitored zinc alloy

The KES900Z electric strike provides a pre-load function capable of opening electrically with up to 35kgs of pressure being applied, commonly caused by air conditioning, doors that have dropped or warped or the addition of door seals.

Due to the Zinc Alloy construction it is an economic solution, perfectly suited for non fire-rated applications such as residential and aluminium fabricated solutions.

The KES900Z offers dual voltage of 12VDC/24VDC and includes convenient fail safe/fail secure function (changeable on site).

Also included are pre-drilled holes for optional lip extensions and installation tabs for metal frame.

Lip extensions are provided to meet the needs of a particular door jamb width.

Advantages at a glance:

- Field reversible fail-safe or fail-secure
- Operating voltage 12VDC/24VDC
- Monitored latch and lock status
- Suits latch throw up to 18mm
- Preload – Up to 35kg (80lbs)
- Pre-drilled for optional lip extensions
- Includes mounting tabs for metal frame
- Zinc alloy construction (non fire-rated)
- Static holding force of 680kg (1500lbs)

dormakaba Australia
Head Office
12-13 Dansu Court
Hallam VIC 3803
T 1800 675 411
info.au@dormakaba.com
www.dormakaba.com.au

dormakaba New Zealand
Head Office
Building P, 61-69 Patiki Road
Avondale, Auckland 1026
T: 0800 436 762
info.nz@dormakaba.com
www.dormakaba.co.nz

Specifications

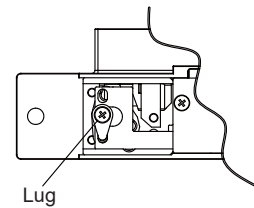
Dimensions	1745L x 44W x 27D(mm)
Holding force	680kg (1500lbs)
Preload	35kg (80lbs)
Voltage	12/24VDC
Voltage tolerance	+/-15%
Current usage	600mA/12VDC, 300mA/24VDC
Operating temperature	-10°C ~ +49°C
Humidity	0-85% non-condensing
Operating mode	fail secure/fail secure
Cycle tested	500,000 (pending 1million)
Material	
Housing	zinc alloy
Keeper	stainless steel
Ordering details	
Article number	9400000012901

Changing fail-safe/fail-secure

Fail-safe or fail-secure operation is field reversible by changing the direction of the lug.

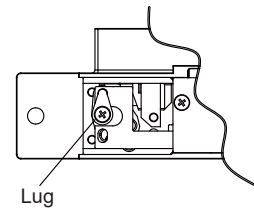
Fail-secure

(power to open)

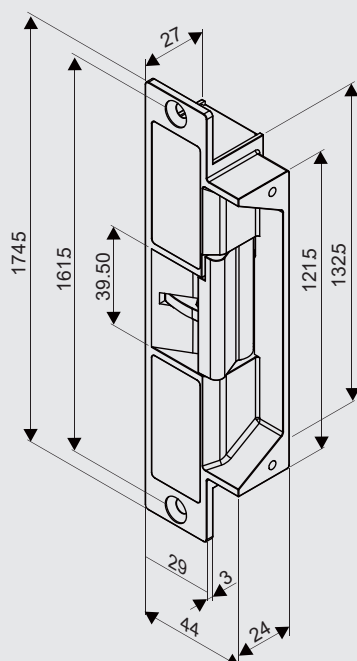


Fail-safe

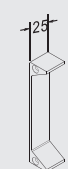
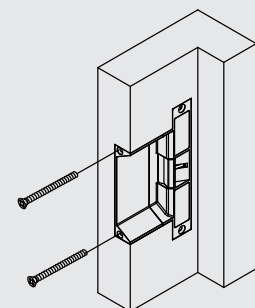
(power to lock)



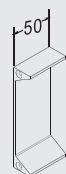
Dimensions



Optional accessories lip extensions



KESLP2225



KESLP2250